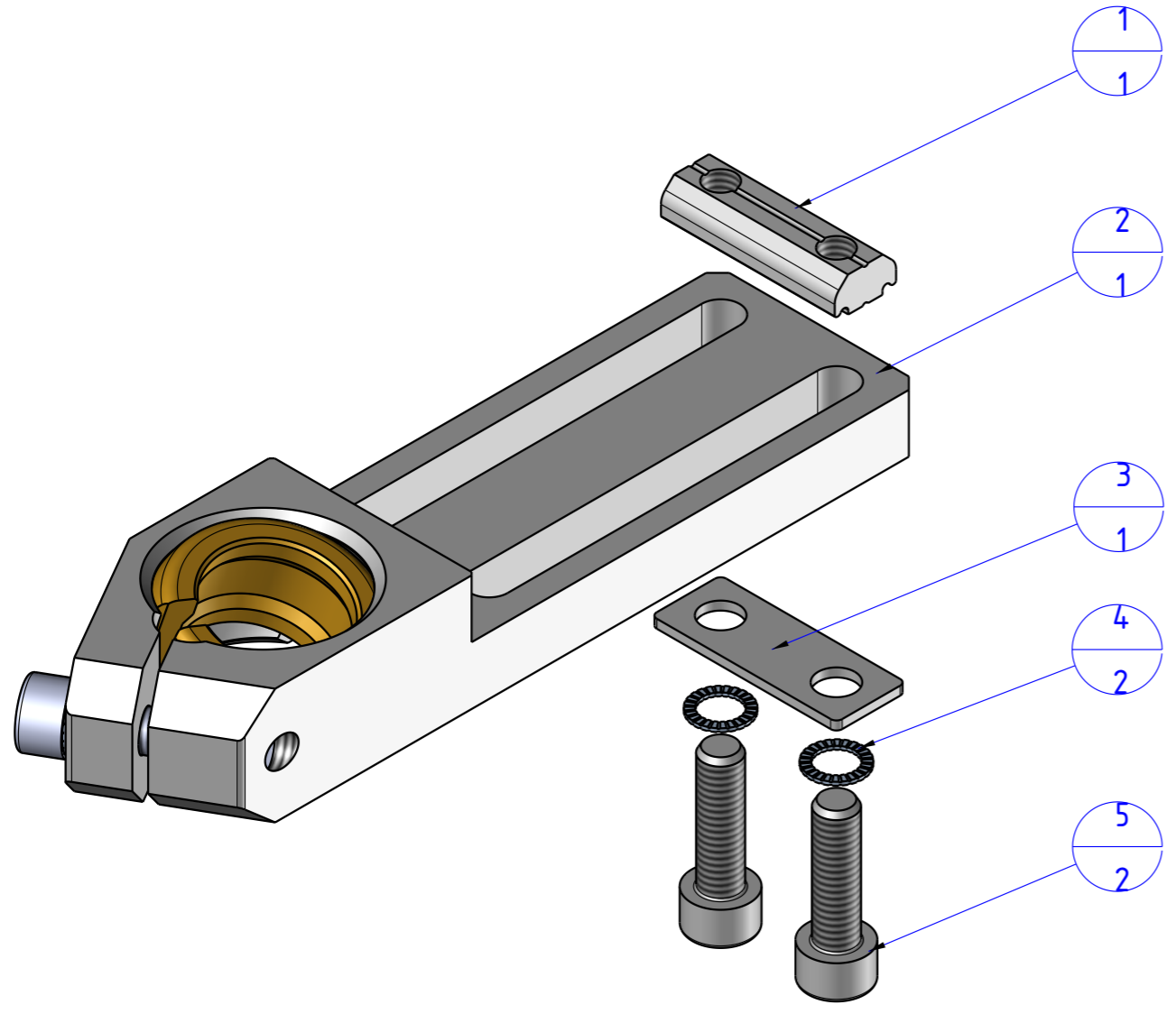
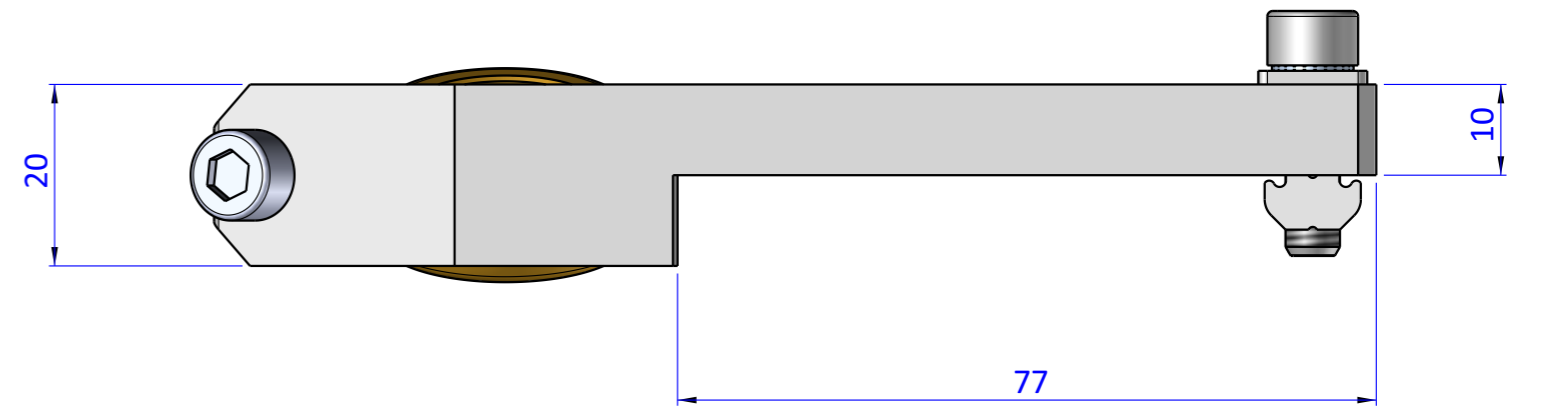
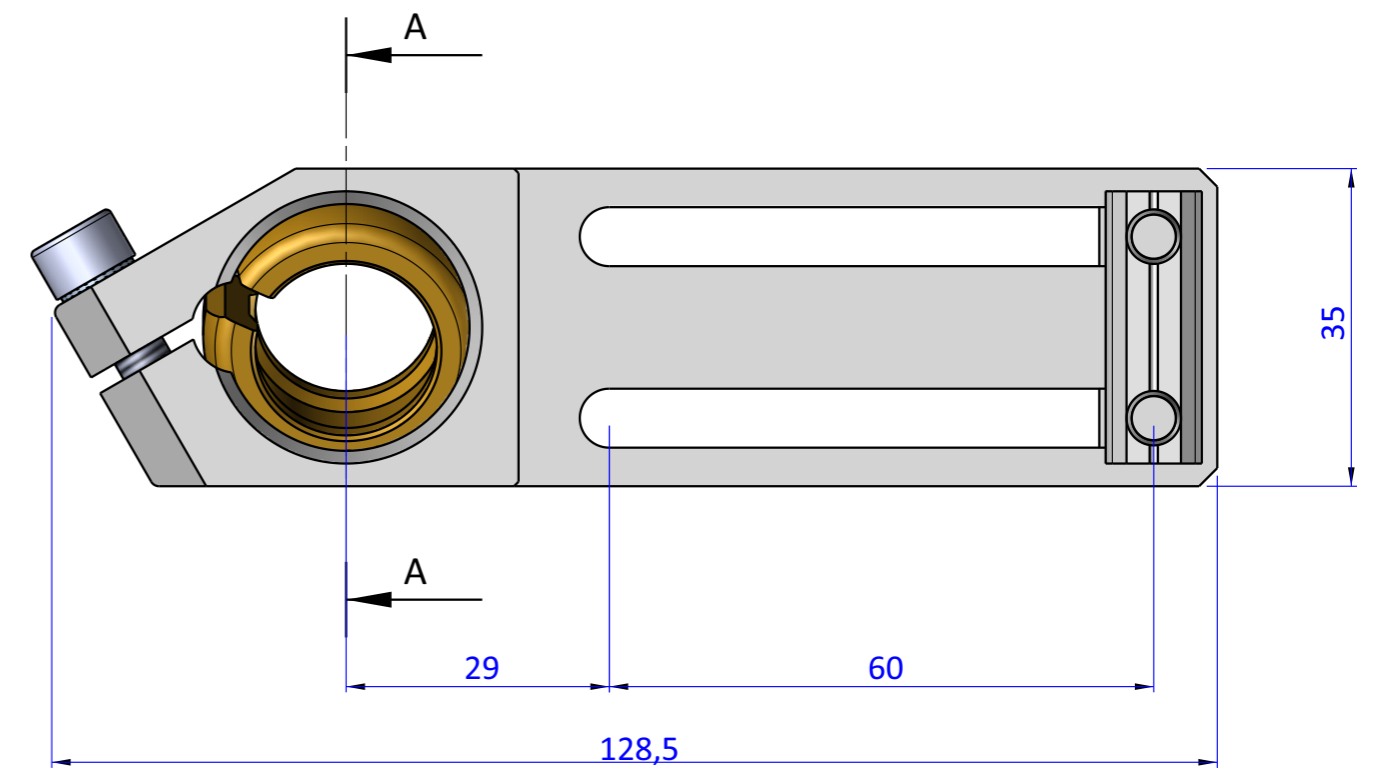
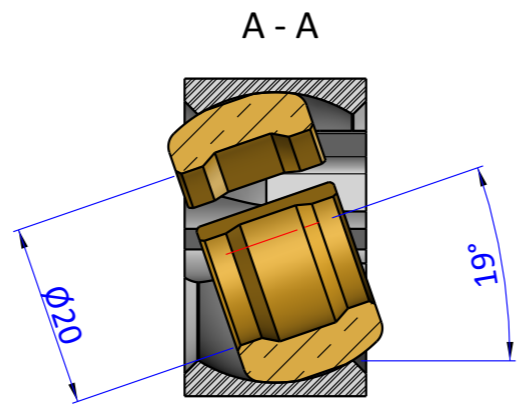



THE PROPERTY OF THE DRAWING IS ESTABLISHED BY LAW. IT IS FORBIDDEN TO PRODUCE OR SHOW IT TO THIRD PART. WITHOUT A WRITTEN AGREEMENT.

Item	Name	Q.ty
1	CA.GWP.6.20	1
2	CA.WSL.2060.G	1
3	R.06.20	1
4	R.6.SCH	2
5	V.TCE6x22	2



 FPS SERVICES AUTOMATION		DESIGNED FROM		REVIEW
		FPS Automation		A
GENERAL TOLERANCE		DATE	WEIGHT	
UNI - ISO 2768		01/03/2021	0,159kg	
CLASSE f		DESCRIPTION	CODE	
		CA.WSL.2060.G.X	CA.WSL.2060.G.X	

Format A3
 UNI 936-76